

Product Excellence Through the Decades

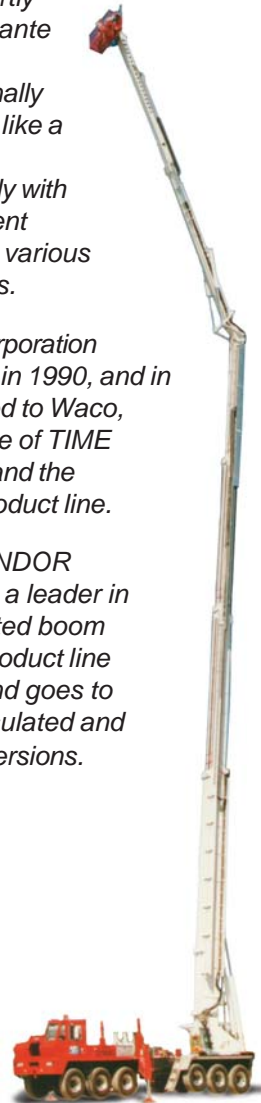


The First CONDOR ...

The Calavar Corporation was started shortly after WWII in Sante Fe Springs, California, originally operating more like a dealership, and involved primarily with mounting different truck bodies on various types of chassis.

The Calavar Corporation was purchased in 1990, and in 1992 was moved to Waco, Texas, the home of TIME Manufacturing and the VERSALIFT product line.

To this day, CONDOR continues to be a leader in the truck mounted boom industry. The product line begins at 90' and goes to 210', in both insulated and non-insulated versions.



Innovation ...

From the smallest truck-mounted VERSALIFT TEL-29 to the gigantic CONDOR 210, and everything in between, TIME Manufacturing Company is committed to supplying innovative products to the Telecommunications and Power Industries.

Values We Go By ...

Our philosophy is simple: build the most cost-effective aerial devices in the industry by introducing new and innovative ideas combined with proven technology and long term durability to give you the finest equipment available. We are consistently looking for new ways to improve our manufacturing efficiency, product durability, and customer satisfaction. TIME Manufacturing is ISO-9001 certified and CE approved.

The First VERSALIFT ...

From a small simple articulated one-man lift, built to meet the needs of a small independent telephone company, the VERSALIFT product line currently contains 28 models. The complete line of VERSALIFT aerial devices today includes articulated overcenter and articulated non-overcenter aerial lifts, telescopic and telescopic/articulated aerial devices with working heights ranging from 34 to 65 feet.



P. O. Box 20368
Waco, TX 76702-0368
Tel.: 254-399-2100
Fax: 254-399-2651
09/03/2500



<http://www.timemfg.com>

POWER TRANSMISSION PRODUCTS GROUP



www.timemfg.com



Aerial Solutions from

TME Manufacturing



CONDOR CTA-104-I

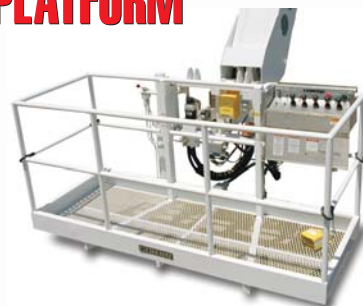
- Offers 104 feet of working height
- 800 lbs. platform capacity
- Column articulation from 87° to 167°
- Unit is rated for 500kV category A and C per ANSI
- Jib & winch rotates up to 180° both with the platform and independently for precise load positioning
- Short jacking capability allows for the lift to operate over one side of the truck without requiring the operator to fully extend the out and down outriggers on the opposite side.



*210" 6x6 chassis
Specifications are subject to change without prior notice.

CONDOR Model	Platform Capacity	Working Height	A	B	C	D	E	F	G	H	I	J	K	Voltage Rating
CTA-104	800 lbs.	104'	98'	98'	50'	40' 6"	53' 9"	37' 5"	167°	87°	38' 6"	12' 6.5"	240"	765 KV
118-I	1,500 lbs.	118'	112'	104' 6"	50' 6"	43' 6"	67'	43' 6"	160°	85°	45'	12' 6"	*210"	765 KV
125-S	1,500 lbs.	125'	119'	97'	58'	33' 6"	64'	41'	155°	80°	41'	12' 6"	*210"	N/A
125-I	1,500 lbs.	125'	122'	N/A	43'	N/A	78'	48'	155°	79°	53'	13'	264"	765 KV
150-S	1,000 lbs.	150'	145'	117'	71'	41'	78'	48'	158°	83°	46' 6"	13'	264"	N/A
150-I	1,500 lbs.	150'	147'	133'	67'	49' 6"	88'	53'	160°	85°	53'	13'	264"	765 KV
170-S	1,000 lbs.	170'	165'	131' 6"	74' 6"	34' 6"	87'	53'	154°	79°	53'	13' 6"	264"	N/A
180-I	1,500 lbs.	180'	174'	159'	62'	47'	114'	53'	160°	85°	53'	13' 6"	270"	765 KV
200-I	1,000 lbs.	200'	196'	182'	61'	46'	136' 6"	51'	159°	85°	53'	13' 6"	270"	765 KV
210-S	1,000 lbs.	210'	204'	180' 6"	69'	45'	136' 6"	51'	159°	85°	52'	13' 6"	270"	N/A

THE CONDOOR WORK PLATFORM

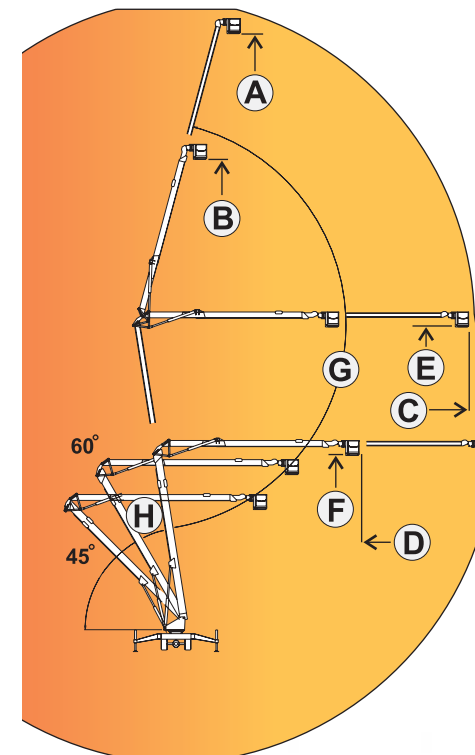


CONDOR 118-I



CONDOR 170-S

- Offers 170 feet of working height
- 1,000 lbs. platform capacity
- Column articulation from 79° to 154°
- Optional manual material handling jib & winch rotates up to 180° both with the platform and independently for precise load positioning
- Instability warning system
- Precise engineering allows for stowed lift and travel height to be reduced to a minimum
- Swing-out type outriggers provide a generous lateral spread with maximum ground penetration
- 180° platform rotation
- Offers up to 74 feet, 6 inches of horizontal reach
- Aluminum deck and wheels available



- A: Maximum vertical platform height
- B: Retracted upper boom vertical platform height
- C: Maximum horizontal platform reach with maximum column articulation with column retracted
- D: Horizontal reach with upper boom retracted
- E: Platform height with column extended
- F: Platform height with column retracted
- G: Elbow articulation
- H: Column articulation
- I: Overall travel length
- J: Travel height
- K: Wheel base

CONDOR 170-S STOWED



CONDOR 210-S

